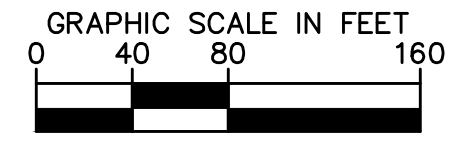
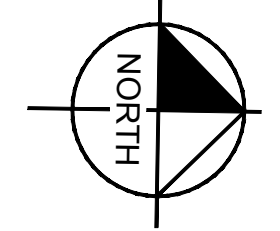
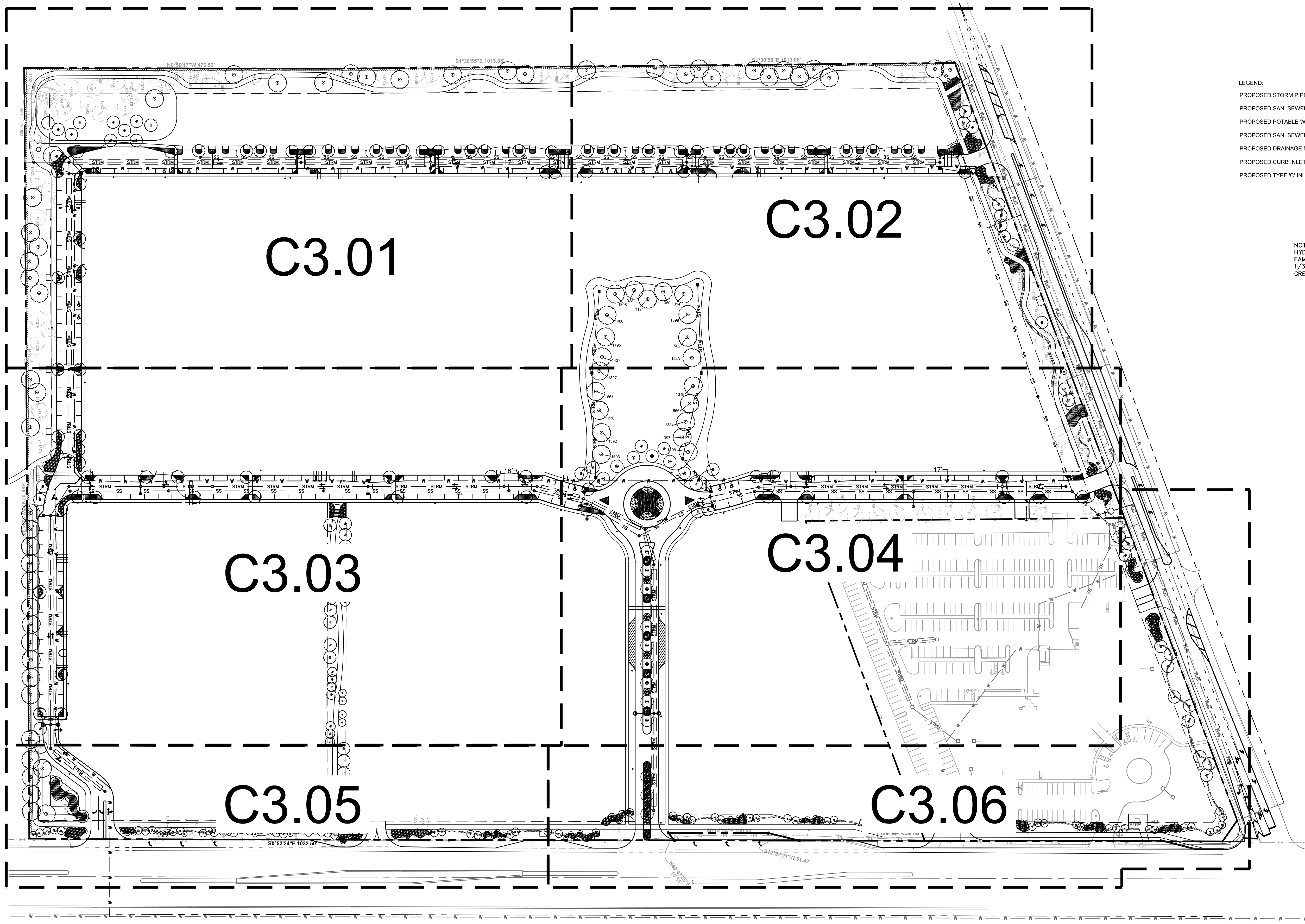


Plotted By: Grove, Brian. Sheet Set: 1690 - 2350 S. Congress Avenue. Layout: C3.00 MASTER COMPOSITE PLAN. July 30, 2019. 07:10:11pm. K:\BCD_Civil\140248002 - CentrePointe\CADD\PlanSheets - Covelli Master\C10.00 MASTER INFRASTRUCTURE PLAN.dwg

This document, together with the concepts and designs presented herein, is intended only for the specific purpose and client for which it was prepared. Reuse and improper reliance on this document without written authorization and adaptation by Kimley-Horn and Associates, Inc. shall be without liability to Kimley-Horn and Associates, Inc.



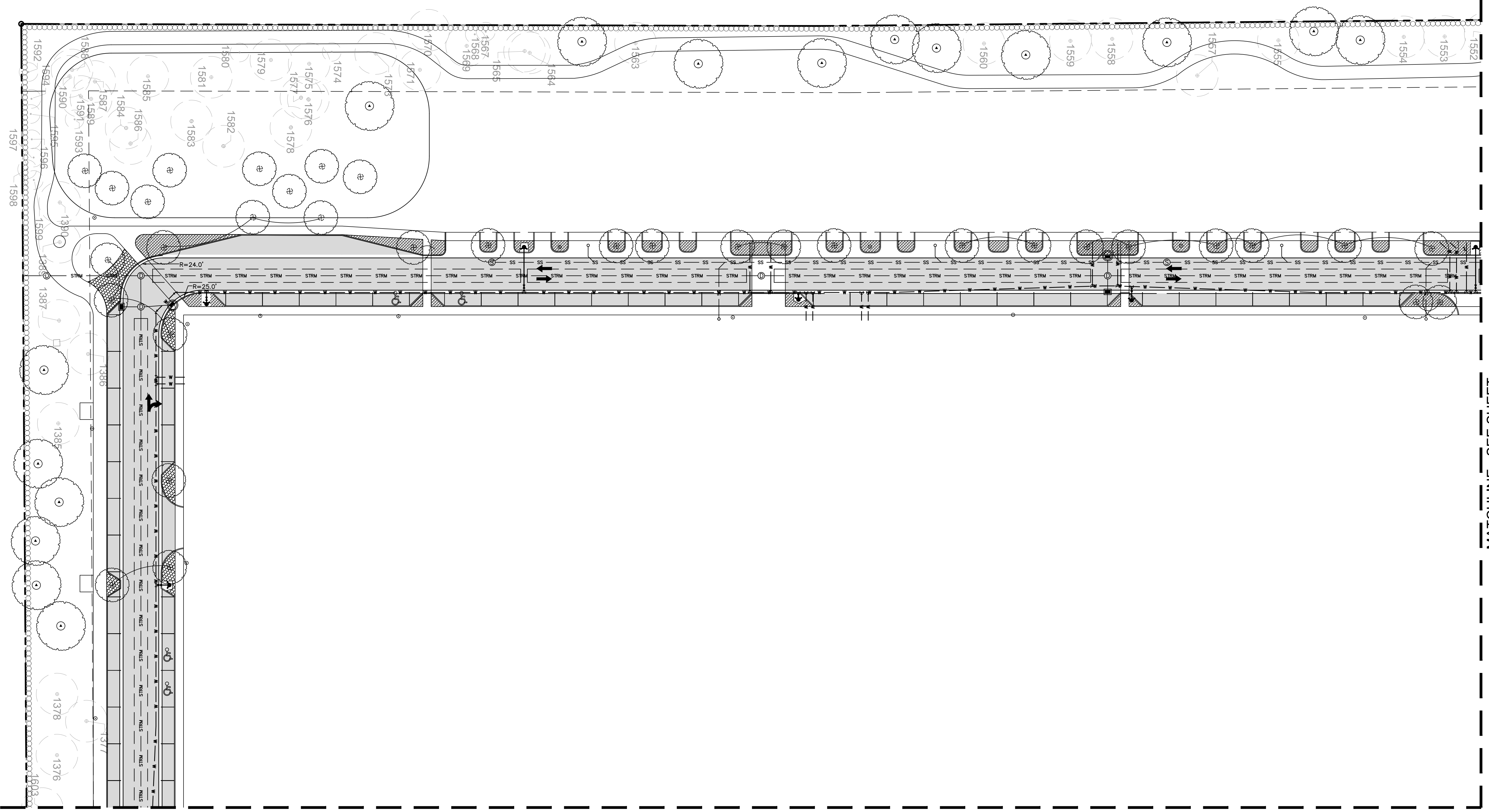
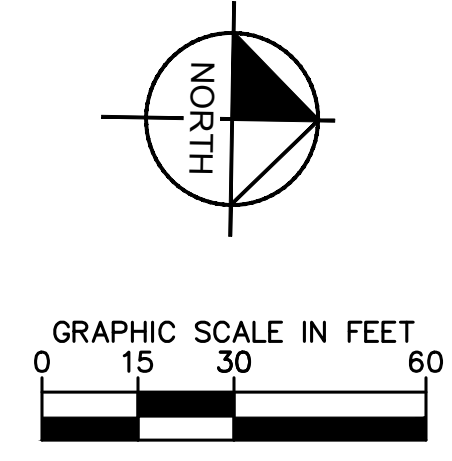
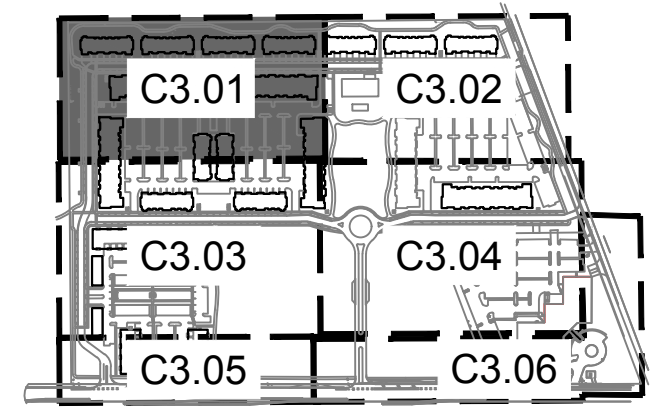
- LEGEND:**
- PROPOSED STORM PIPE ——— STRM ——— STRM ———
 - PROPOSED SAN. SEWER MAIN ——— SS ——— SS ———
 - PROPOSED POTABLE WATERMAIN ——— W ——— W ———
 - PROPOSED SAN. SEWER MANHOLE ○
 - PROPOSED DRAINAGE MANHOLE ⊙
 - PROPOSED CURB INLET ◐
 - PROPOSED TYPE 'C' INLET ■

NOTE:
 HYDRANTS SPACED @ 1/400 LF FOR MULTI FAMILY RESIDENTIAL LESS THAN 2 STORIES OR 1/300 LF FOR MULTI FAMILY RESIDENTIAL GREATER THAN 2 STORIES/COMMERCIAL

1690 - 2350 S. CONGRESS AVENUE PREPARED FOR 13TH FLOOR INVESTMENTS DELRAY BEACH, FLORIDA	MASTER COMPOSITE PLAN	KHA PROJECT 140248002	LICENSED PROFESSIONAL MICHAEL D. SPRUCE, P.E.	© 2019 KIMLEY-HORN AND ASSOCIATES, INC. 1615 S CONGRESS AVE., SUITE 201, DELRAY BEACH, FL 33445 PHONE: 561-330-2345 FAX: 561-863-8175 WWW.KIMLEY-HORN.COM CA 00000696
		DATE APRIL 2019	FLORIDA LICENSE NUMBER 52776	
SHEET NUMBER C3.00	REVISIONS No. _____ BY _____ DATE _____	SCALE AS SHOWN DESIGNED BY JVP DRAWN BY BJG CHECKED BY MDS	DATE: _____	

Plotted By: Grove, Brian Sheet Set: 1690 - 2350 S. Congress Avenue Layout: C3.01. COMPOSITE PLAN July 31, 2019 05:47:25pm K:\BCD-DW\140248002 - CenterPoint\CADD\PlanSheets - Covell Master\C3.00. COMPOSITE. PLAN.dwg
 This document, together with the concepts and designs presented herein, is an instrument of service. It is intended only for the specific purpose and client for which it was prepared. Reuse of and improper reliance on this document without written authorization and adaptation by Kimley-Horn and Associates, Inc. shall be without liability to Kimley-Horn and Associates, Inc.

- LEGEND:**
- PROPOSED STORM PIPE — STRM — STRM —
 - PROPOSED SAN. SEWER MAIN — SS — SS — SS —
 - PROPOSED POTABLE WATERMAIN — W — W — W —
 - PROPOSED SAN. SEWER MANHOLE ○
 - PROPOSED DRAINAGE MANHOLE ○
 - PROPOSED CURB INLET ○
 - PROPOSED TYPE 'C' INLET ■



MATCHLINE - SEE SHEET
C3.02

MATCHLINE - SEE SHEET
C3.02

1690 - 2350 S.
CONGRESS AVENUE
 PREPARED FOR
13TH FLOOR INVESTMENTS
 DELRAY BEACH, FLORIDA

COMPOSITE PLAN

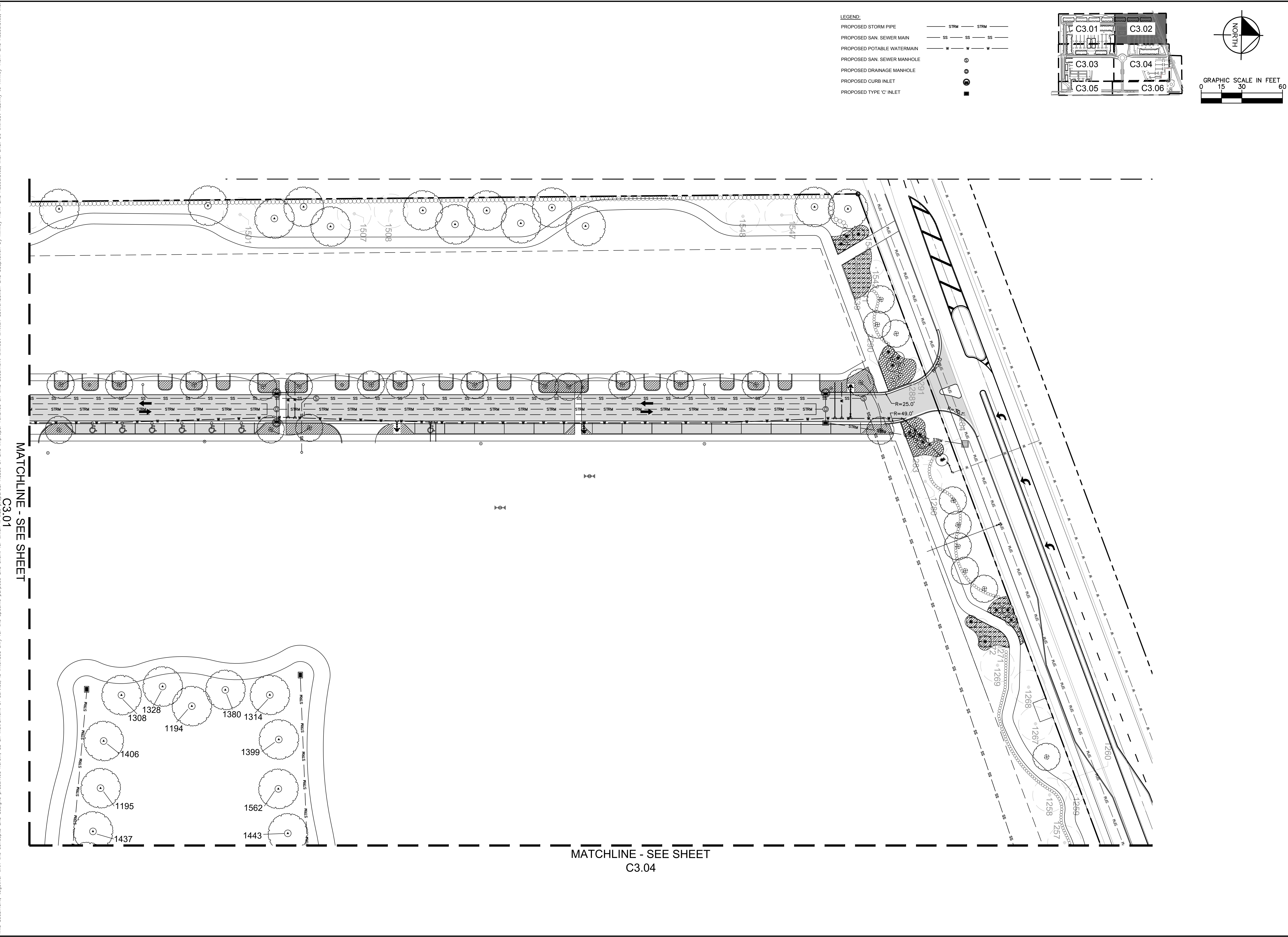
LICENSED PROFESSIONAL
 MICHAEL D. SPRUCE, P.E.
 FLORIDA LICENSE NUMBER
 52776

Kimley»Horn
 © 2019 KIMLEY-HORN AND ASSOCIATES, INC.
 1615 S CONGRESS AVE, SUITE 201, DELRAY BEACH, FL 33445
 PHONE: 561-330-2345 FAX: 561-863-8175
 WWW.KIMLEY-HORN.COM CA 00000696

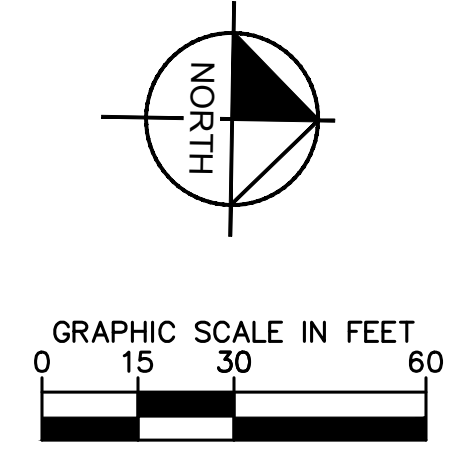
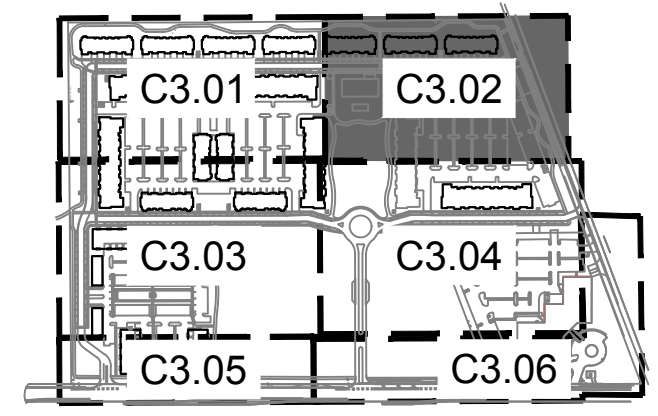
No.	REVISIONS	BY	DATE

SHEET NUMBER
C3.01

Plotted By: Grove, Brian Sheet Set: 1690 - 2350 S. Congress Avenue Layout: C3.02 COMPOSITE PLAN July 31, 2019 05:47:28pm K:\BCD_Civil\140248002 - CentrePointe\CADD\PlanSheets - Covelli Master\C3.02 COMPOSITE PLAN.dwg
 This document, together with the concepts and designs presented herein, is an instrument of service, is intended only for the specific purpose and client for which it was prepared. Reuse of and improper reliance on this document without written authorization and adaptation by Kimley-Horn and Associates, Inc. shall be without liability to Kimley-Horn and Associates, Inc.



- LEGEND:**
- PROPOSED STORM PIPE — STRM — STRM —
 - PROPOSED SAN. SEWER MAIN — SS — SS — SS —
 - PROPOSED POTABLE WATERMAIN — W — W — W —
 - PROPOSED SAN. SEWER MANHOLE ○
 - PROPOSED DRAINAGE MANHOLE ⊙
 - PROPOSED CURB INLET □
 - PROPOSED TYPE 'C' INLET ■



MATCHLINE - SEE SHEET C3.01

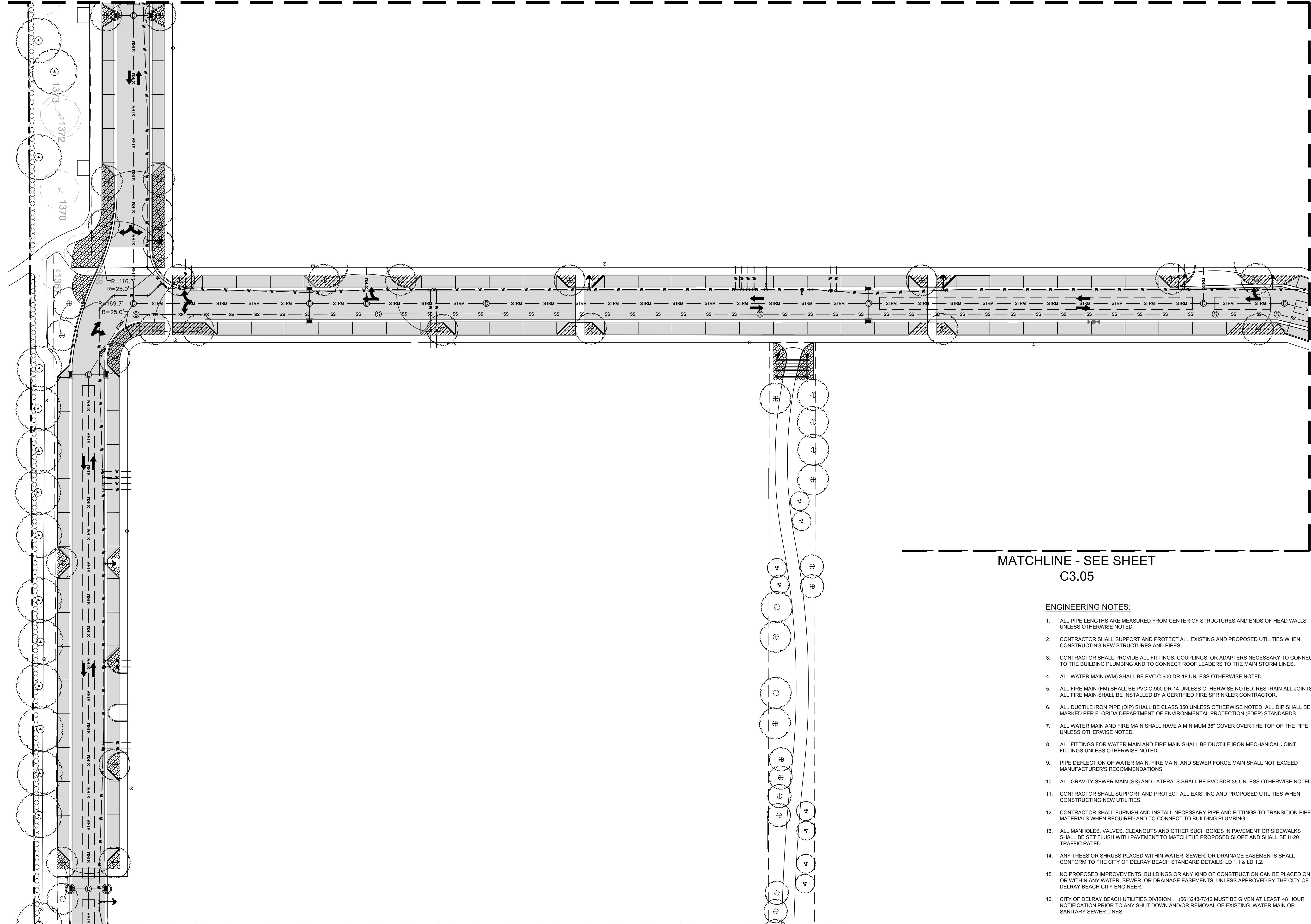
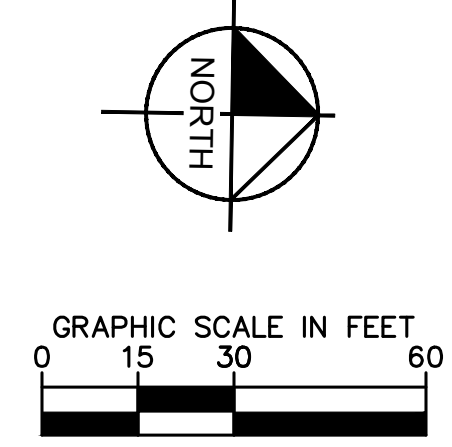
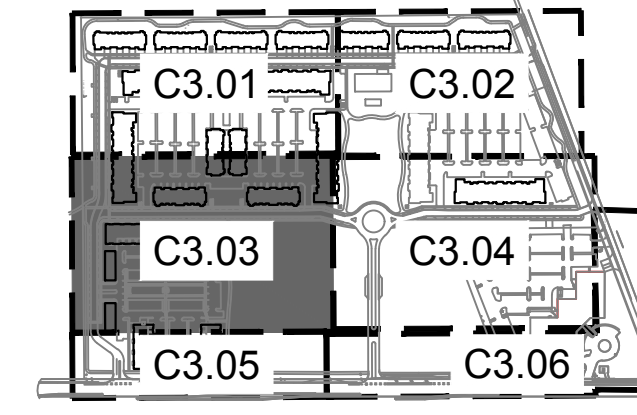
MATCHLINE - SEE SHEET C3.04

COMPOSITE PLAN		1690 - 2350 S. CONGRESS AVENUE	
PREPARED FOR 13TH FLOOR INVESTMENTS		FLORIDA DELRAY BEACH	
KHA PROJECT 140248002		LICENSED PROFESSIONAL MICHAEL D. SPRUCE, P.E.	
DATE APRIL 2019		MICHAEL D. SPRUCE, P.E. 1615 S CONGRESS AVE, SUITE 201, DELRAY BEACH, FL 33445 PHONE: 561-330-2345 FAX: 561-863-8175 WWW.KIMLEY-HORN.COM CA 00000696	
SCALE AS SHOWN		FLORIDA LICENSE NUMBER 52776	
DESIGNED BY JVP		DATE: _____	
DRAWN BY B/J		REVISIONS	
CHECKED BY MDS		No. _____	
SHEET NUMBER C3.02		BY _____	
DATE: _____		DATE: _____	

Plotted By: Grove, Brian Sheet Set: 1690 - 2350 S. Congress Avenue Layout: C3.03 COMPOSITE PLAN July 31, 2019 05:47:31pm K:\BCD-DW\140248002 - CenterPointe\CADD\PlanSheets - Covell Master\C3.00 COMPOSITE PLAN.dwg
 This document, together with the concepts and designs presented herein, is intended only for the specific purpose and client for which it was prepared. Reuse of and improper reliance on this document without written authorization and adaptation by Kimley-Horn and Associates, Inc. shall be without liability to Kimley-Horn and Associates, Inc.

MATCHLINE - SEE SHEET
C3.01

- LEGEND:**
- PROPOSED STORM PIPE — STRM — STRM —
 - PROPOSED SAN. SEWER MAIN — SS — SS — SS —
 - PROPOSED POTABLE WATERMAIN — W — W — W —
 - PROPOSED SAN. SEWER MANHOLE
 - PROPOSED DRAINAGE MANHOLE
 - PROPOSED CURB INLET
 - PROPOSED TYPE 'C' INLET



MATCHLINE - SEE SHEET
C3.04

MATCHLINE - SEE SHEET
C3.05

MATCHLINE - SEE SHEET C3.05

- ENGINEERING NOTES:**
1. ALL PIPE LENGTHS ARE MEASURED FROM CENTER OF STRUCTURES AND ENDS OF HEAD WALLS UNLESS OTHERWISE NOTED.
 2. CONTRACTOR SHALL SUPPORT AND PROTECT ALL EXISTING AND PROPOSED UTILITIES WHEN CONSTRUCTING NEW STRUCTURES AND PIPES.
 3. CONTRACTOR SHALL PROVIDE ALL FITTINGS, COUPLINGS, OR ADAPTERS NECESSARY TO CONNECT TO THE BUILDING PLUMBING AND TO CONNECT ROOF LEADERS TO THE MAIN STORM LINES.
 4. ALL WATER MAIN (WM) SHALL BE PVC C-900 DR-18 UNLESS OTHERWISE NOTED.
 5. ALL FIRE MAIN (FM) SHALL BE PVC C-900 DR-14 UNLESS OTHERWISE NOTED. RESTRAIN ALL JOINTS. ALL FIRE MAIN SHALL BE INSTALLED BY A CERTIFIED FIRE SPRINKLER CONTRACTOR.
 6. ALL DUCTILE IRON PIPE (DIP) SHALL BE CLASS 350 UNLESS OTHERWISE NOTED. ALL DIP SHALL BE MARKED PER FLORIDA DEPARTMENT OF ENVIRONMENTAL PROTECTION (FDEP) STANDARDS.
 7. ALL WATER MAIN AND FIRE MAIN SHALL HAVE A MINIMUM 36" COVER OVER THE TOP OF THE PIPE UNLESS OTHERWISE NOTED.
 8. ALL FITTINGS FOR WATER MAIN AND FIRE MAIN SHALL BE DUCTILE IRON MECHANICAL JOINT FITTINGS UNLESS OTHERWISE NOTED.
 9. PIPE DEFLECTION OF WATER MAIN, FIRE MAIN, AND SEWER FORCE MAIN SHALL NOT EXCEED MANUFACTURER'S RECOMMENDATIONS.
 10. ALL GRAVITY SEWER MAIN (SS) AND LATERALS SHALL BE PVC SDR-35 UNLESS OTHERWISE NOTED.
 11. CONTRACTOR SHALL SUPPORT AND PROTECT ALL EXISTING AND PROPOSED UTILITIES WHEN CONSTRUCTING NEW UTILITIES.
 12. CONTRACTOR SHALL FURNISH AND INSTALL NECESSARY PIPE AND FITTINGS TO TRANSITION PIPE MATERIALS WHEN REQUIRED AND TO CONNECT TO BUILDING PLUMBING.
 13. ALL MANHOLES, VALVES, CLEANOUTS AND OTHER SUCH BOXES IN PAVEMENT OR SIDEWALKS SHALL BE SET FLUSH WITH PAVEMENT TO MATCH THE PROPOSED SLOPE AND SHALL BE H-20 TRAFFIC RATED.
 14. ANY TREES OR SHRUBS PLACED WITHIN WATER, SEWER, OR DRAINAGE EASEMENTS SHALL CONFORM TO THE CITY OF DELRAY BEACH STANDARD DETAILS, LD 1.1 & LD 1.2.
 15. NO PROPOSED IMPROVEMENTS, BUILDINGS OR ANY KIND OF CONSTRUCTION CAN BE PLACED ON OR WITHIN ANY WATER, SEWER, OR DRAINAGE EASEMENTS, UNLESS APPROVED BY THE CITY OF DELRAY BEACH CITY ENGINEER.
 16. CITY OF DELRAY BEACH UTILITIES DIVISION (561)243-7312 MUST BE GIVEN AT LEAST 48 HOUR NOTIFICATION PRIOR TO ANY SHUT DOWN AND/OR REMOVAL OF EXISTING WATER MAIN OR SANITARY SEWER LINES

No.	REVISIONS	DATE	BY

Kimley»Horn
 © 2019 KIMLEY-HORN AND ASSOCIATES, INC. 33445
 1615 S CONGRESS AVE, SUITE 201, DELRAY BEACH, FL
 PHONE: 561-330-2345 FAX: 561-863-8175
 WWW.KIMLEY-HORN.COM CA 00000696

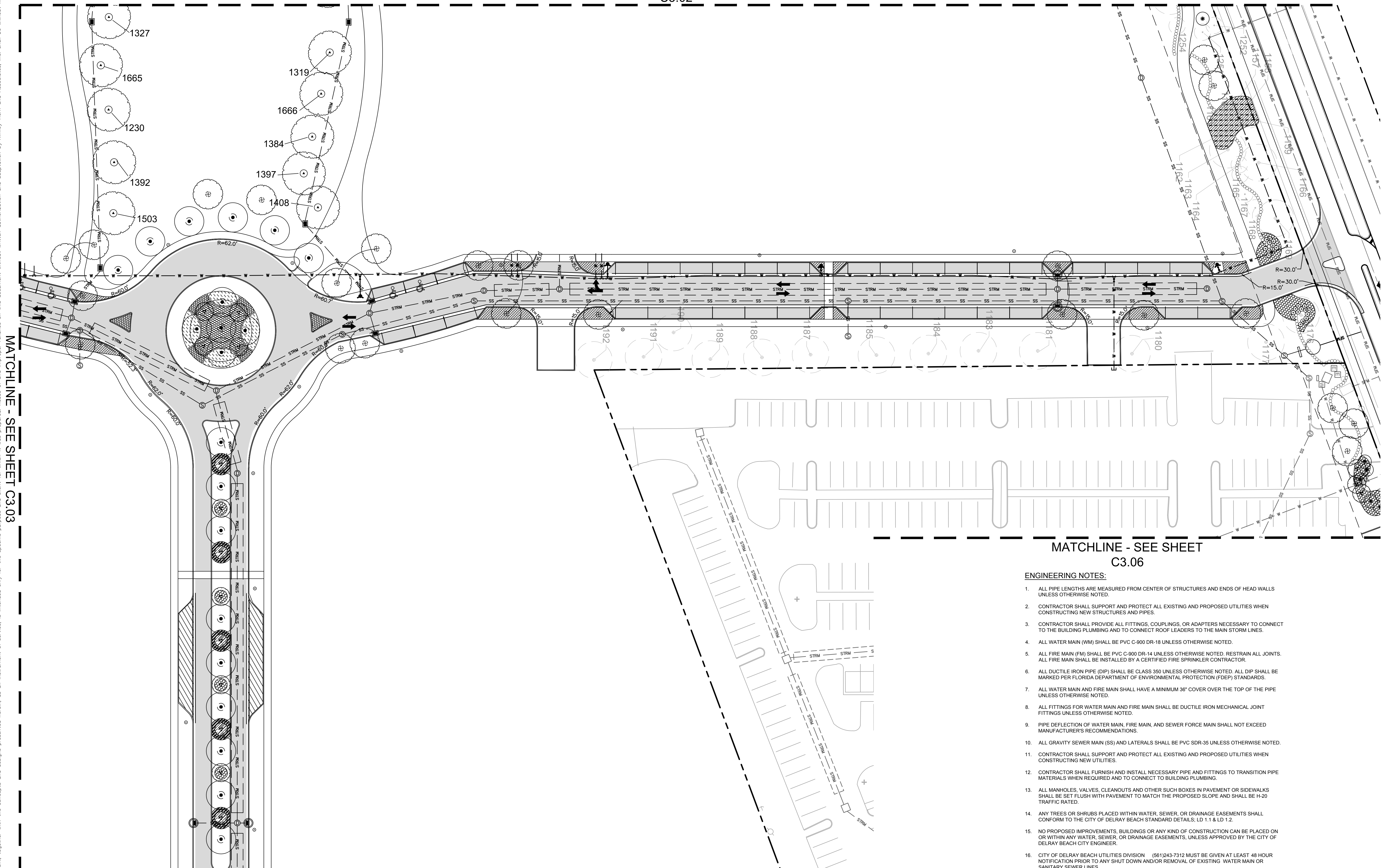
KHA PROJECT	14-0248002
DATE	APRIL 2019
SCALE	AS SHOWN
DESIGNED BY	JVP
DRAWN BY	B/JC
CHECKED BY	MDS
LICENSED PROFESSIONAL	MICHAEL D. SPRUCE, P.E.
FLORIDA LICENSE NUMBER	52776
DATE:	

COMPOSITE PLAN

**1690 - 2350 S.
 CONGRESS AVENUE**
 PREPARED FOR
13TH FLOOR INVESTMENTS
 DELRAY BEACH FLORIDA

SHEET NUMBER
C3.03

Plotted By: Grove, Brian Sheet Set: 1690 - 2350 S. Congress Avenue Layout: C3.04 - COMPOSITE PLAN July 31, 2019 05:47:36pm K:\BCD_Civil\140248002 - CentrePointe\CADD\PlanSheets - Covelli Master\C3.04 - COMPOSITE PLAN.dwg This document, together with the concepts and designs presented herein, is intended only for the specific purpose and client for which it was prepared. Reuse of and improper reliance on this document without written authorization and adaptation by Kimley-Horn and Associates, Inc. shall be without liability to Kimley-Horn and Associates, Inc.

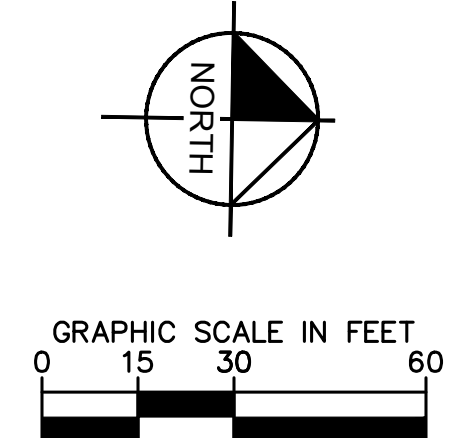
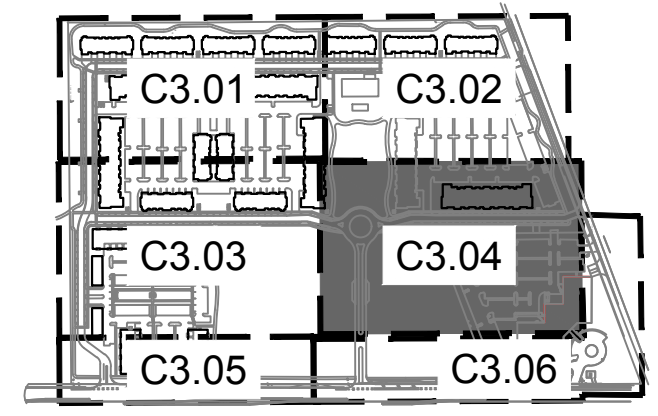


MATCHLINE - SEE SHEET
C3.02

MATCHLINE - SEE SHEET C3.03

MATCHLINE - SEE SHEET
C3.06

- LEGEND:**
- PROPOSED STORM PIPE ——— STRM ———
 - PROPOSED SAN. SEWER MAIN ——— SS ———
 - PROPOSED POTABLE WATERMAIN ——— W ———
 - PROPOSED SAN. SEWER MANHOLE (M)
 - PROPOSED DRAINAGE MANHOLE (D)
 - PROPOSED CURB INLET (C)
 - PROPOSED TYPE 'C' INLET (C)



MATCHLINE - SEE SHEET
C3.06

ENGINEERING NOTES:

1. ALL PIPE LENGTHS ARE MEASURED FROM CENTER OF STRUCTURES AND ENDS OF HEAD WALLS UNLESS OTHERWISE NOTED.
2. CONTRACTOR SHALL SUPPORT AND PROTECT ALL EXISTING AND PROPOSED UTILITIES WHEN CONSTRUCTING NEW STRUCTURES AND PIPES.
3. CONTRACTOR SHALL PROVIDE ALL FITTINGS, COUPLINGS, OR ADAPTERS NECESSARY TO CONNECT TO THE BUILDING PLUMBING AND TO CONNECT ROOF LEADERS TO THE MAIN STORM LINES.
4. ALL WATER MAIN (WM) SHALL BE PVC C-900 DR-18 UNLESS OTHERWISE NOTED.
5. ALL FIRE MAIN (FM) SHALL BE PVC C-900 DR-14 UNLESS OTHERWISE NOTED. RESTRAIN ALL JOINTS. ALL FIRE MAIN SHALL BE INSTALLED BY A CERTIFIED FIRE SPRINKLER CONTRACTOR.
6. ALL DUCTILE IRON PIPE (DIP) SHALL BE CLASS 350 UNLESS OTHERWISE NOTED. ALL DIP SHALL BE MARKED PER FLORIDA DEPARTMENT OF ENVIRONMENTAL PROTECTION (FDEP) STANDARDS.
7. ALL WATER MAIN AND FIRE MAIN SHALL HAVE A MINIMUM 36" COVER OVER THE TOP OF THE PIPE UNLESS OTHERWISE NOTED.
8. ALL FITTINGS FOR WATER MAIN AND FIRE MAIN SHALL BE DUCTILE IRON MECHANICAL JOINT FITTINGS UNLESS OTHERWISE NOTED.
9. PIPE DEFLECTION OF WATER MAIN, FIRE MAIN, AND SEWER FORCE MAIN SHALL NOT EXCEED MANUFACTURER'S RECOMMENDATIONS.
10. ALL GRAVITY SEWER MAIN (SS) AND LATERALS SHALL BE PVC SDR-35 UNLESS OTHERWISE NOTED.
11. CONTRACTOR SHALL SUPPORT AND PROTECT ALL EXISTING AND PROPOSED UTILITIES WHEN CONSTRUCTING NEW UTILITIES.
12. CONTRACTOR SHALL FURNISH AND INSTALL NECESSARY PIPE AND FITTINGS TO TRANSITION PIPE MATERIALS WHEN REQUIRED AND TO CONNECT TO BUILDING PLUMBING.
13. ALL MANHOLES, VALVES, CLEANOUTS AND OTHER SUCH BOXES IN PAVEMENT OR SIDEWALKS SHALL BE SET FLUSH WITH PAVEMENT TO MATCH THE PROPOSED SLOPE AND SHALL BE H-20 TRAFFIC RATED.
14. ANY TREES OR SHRUBS PLACED WITHIN WATER, SEWER, OR DRAINAGE EASEMENTS SHALL CONFORM TO THE CITY OF DELRAY BEACH STANDARD DETAILS, LD 1.1 & LD 1.2.
15. NO PROPOSED IMPROVEMENTS, BUILDINGS OR ANY KIND OF CONSTRUCTION CAN BE PLACED ON OR WITHIN ANY WATER, SEWER, OR DRAINAGE EASEMENTS, UNLESS APPROVED BY THE CITY OF DELRAY BEACH CITY ENGINEER.
16. CITY OF DELRAY BEACH UTILITIES DIVISION (561)243-7312 MUST BE GIVEN AT LEAST 48 HOUR NOTIFICATION PRIOR TO ANY SHUT DOWN AND/OR REMOVAL OF EXISTING WATER MAIN OR SANITARY SEWER LINES

No.	REVISIONS	DATE	BY

Kimley»Horn

© 2019 KIMLEY-HORN AND ASSOCIATES, INC.
 1615 S CONGRESS AVE, SUITE 201, DELRAY BEACH, FL 33445
 PHONE: 561-330-2345 FAX: 561-863-8175
 WWW.KIMLEY-HORN.COM CA 00000696

LICENSED PROFESSIONAL	MICHAEL D. SPRUCE, P.E.
KHA PROJECT	140248002
DATE	APRIL 2019
SCALE	AS SHOWN
DESIGNED BY	JVP
DRAWN BY	BJC
CHECKED BY	MDS
DATE:	

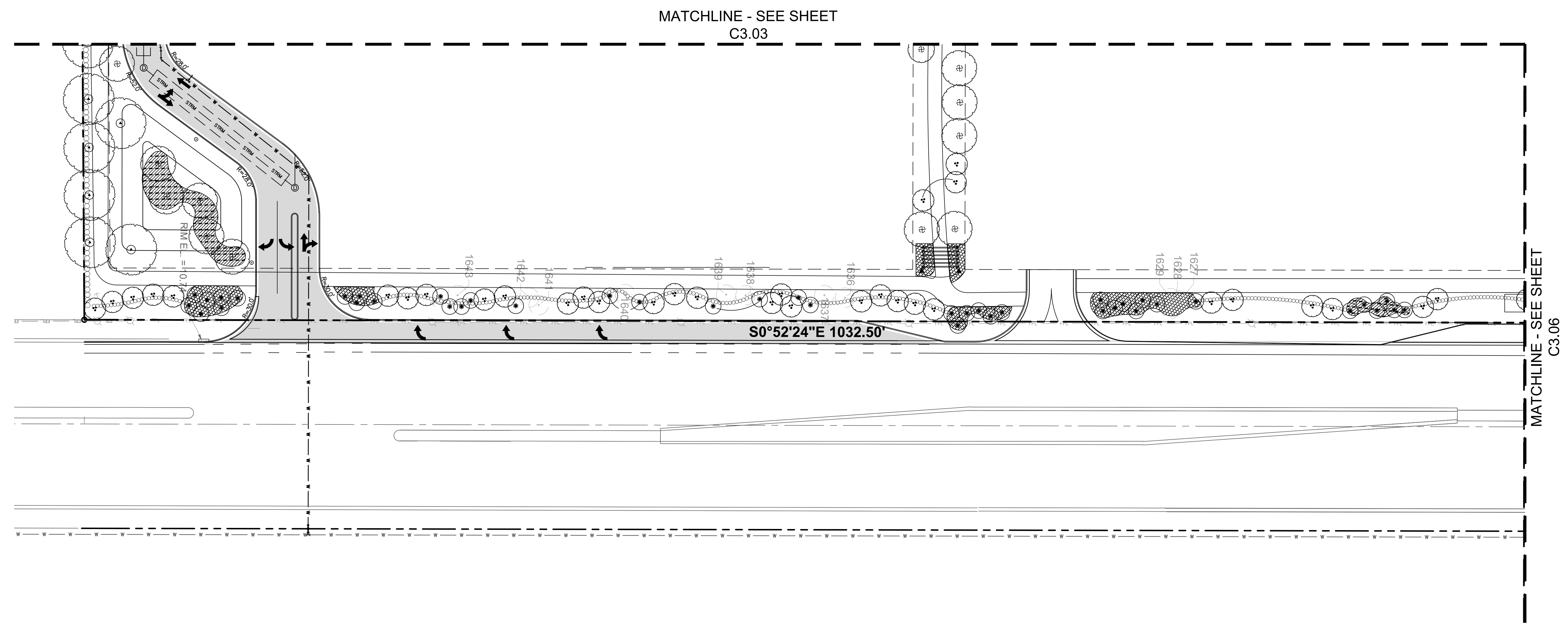
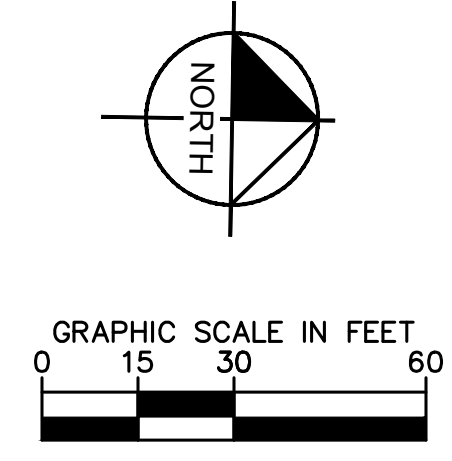
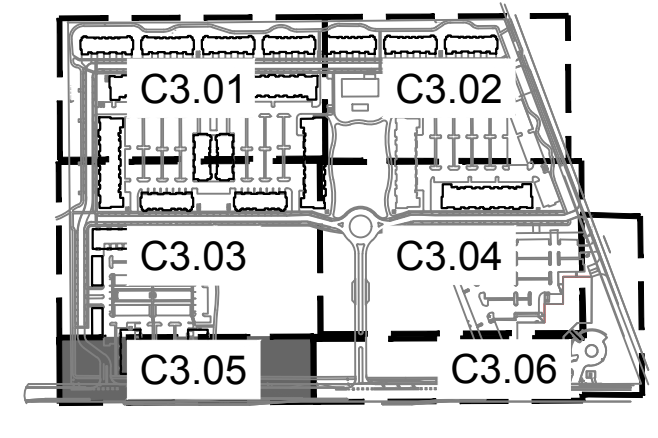
COMPOSITE PLAN

1690 - 2350 S. CONGRESS AVENUE
 PREPARED FOR
13TH FLOOR INVESTMENTS
 DELRAY BEACH, FLORIDA

SHEET NUMBER
C3.04

Plotted By: Grove, Brian Street: 1690 - 2350 S. Congress Avenue Layout: C3.05 COMPOSITE PLAN July 31, 2019 05:47:40pm K:\BDD-Civil\140248002 - CentrePointe\CADD\PlanSheets - Covelli Master\C3.05 COMPOSITE PLAN.dwg
 This document, together with the concepts and designs presented herein, is intended only for the specific purpose and client for which it was prepared. Reuse of and improper reliance on this document without written authorization and adaptation by Kimley-Horn and Associates, Inc. shall be without liability to Kimley-Horn and Associates, Inc.

- LEGEND:**
- PROPOSED STORM PIPE ——— STRM ——— STRM
 - PROPOSED SAN. SEWER MAIN ——— SS ——— SS
 - PROPOSED POTABLE WATERMAIN ——— W ——— W
 - PROPOSED SAN. SEWER MANHOLE (Symbol)
 - PROPOSED DRAINAGE MANHOLE (Symbol)
 - PROPOSED CURB INLET (Symbol)
 - PROPOSED TYPE 'C' INLET (Symbol)



No.	REVISIONS	DATE	BY

Kimley»Horn
 © 2019 KIMLEY-HORN AND ASSOCIATES, INC.
 1615 S CONGRESS AVE, SUITE 201, DELRAY BEACH, FL 33445
 PHONE: 561-330-2345 FAX: 561-863-8175
 WWW.KIMLEY-HORN.COM CA 00000696

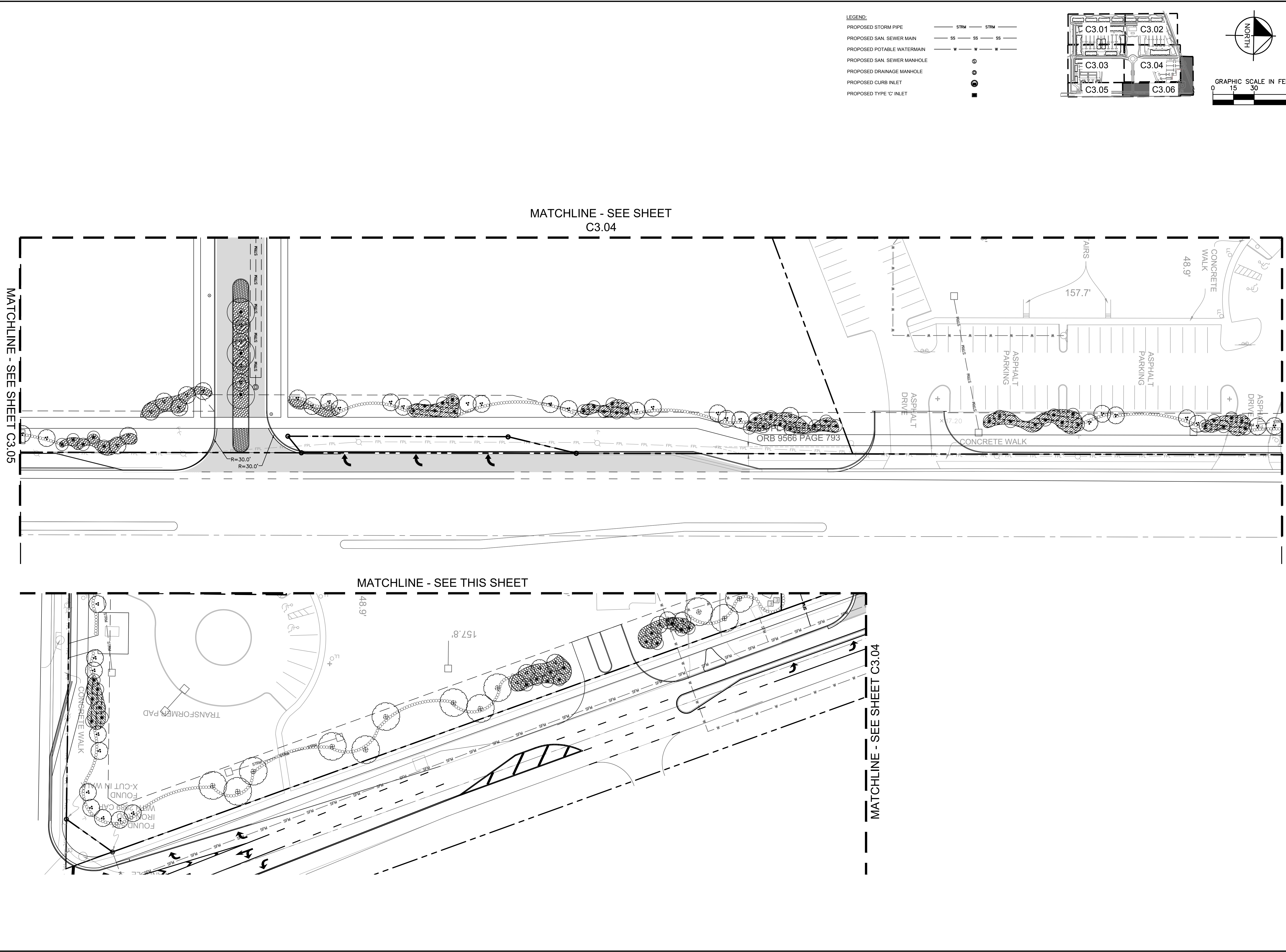
KHA PROJECT	140248002
DATE	APRIL 2019
SCALE	AS SHOWN
DESIGNED BY	JVP
DRAWN BY	B/J
CHECKED BY	MDS
LICENSED PROFESSIONAL	MICHAEL D. SPRUCE, P.E.
FLORIDA LICENSE NUMBER	52776
DATE:	

COMPOSITE PLAN

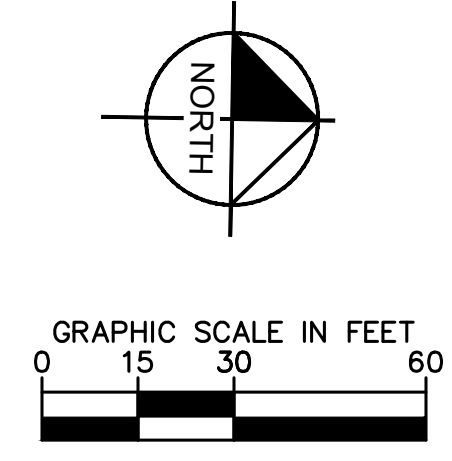
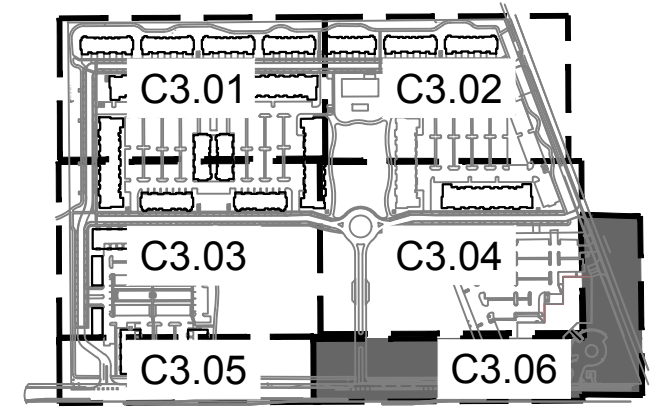
1690 - 2350 S. CONGRESS AVENUE
 PREPARED FOR
13TH FLOOR INVESTMENTS
 DELRAY BEACH FLORIDA

SHEET NUMBER
C3.05

Plotted By: Grove, Brian Sheet Set: 1690 - 2350 S. Congress Avenue Layout: C3.06 COMPOSITE PLAN July 31, 2019 05:47:46pm k:\BDC_Civil\140248002 - CentrePointe\CADD\PlanSheets - Covelli Master\C3.06 COMPOSITE PLAN.dwg
 This document, together with the concepts and designs presented herein, is intended only for the specific purpose and client for which it was prepared. Reuse of and improper reliance on this document without written authorization and adaptation by Kimley-Horn and Associates, Inc. shall be without liability to Kimley-Horn and Associates, Inc.



- LEGEND:**
- PROPOSED STORM PIPE ——— STRM ——— STRM ———
 - PROPOSED SAN. SEWER MAIN ——— SS ——— SS ———
 - PROPOSED POTABLE WATERMAIN ——— W ——— W ———
 - PROPOSED SAN. SEWER MANHOLE ○
 - PROPOSED DRAINAGE MANHOLE ⊙
 - PROPOSED CURB INLET □
 - PROPOSED TYPE 'C' INLET ■



No.	REVISIONS	DATE	BY

Kimley»Horn

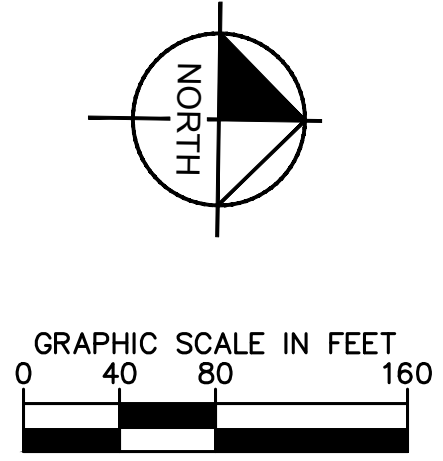
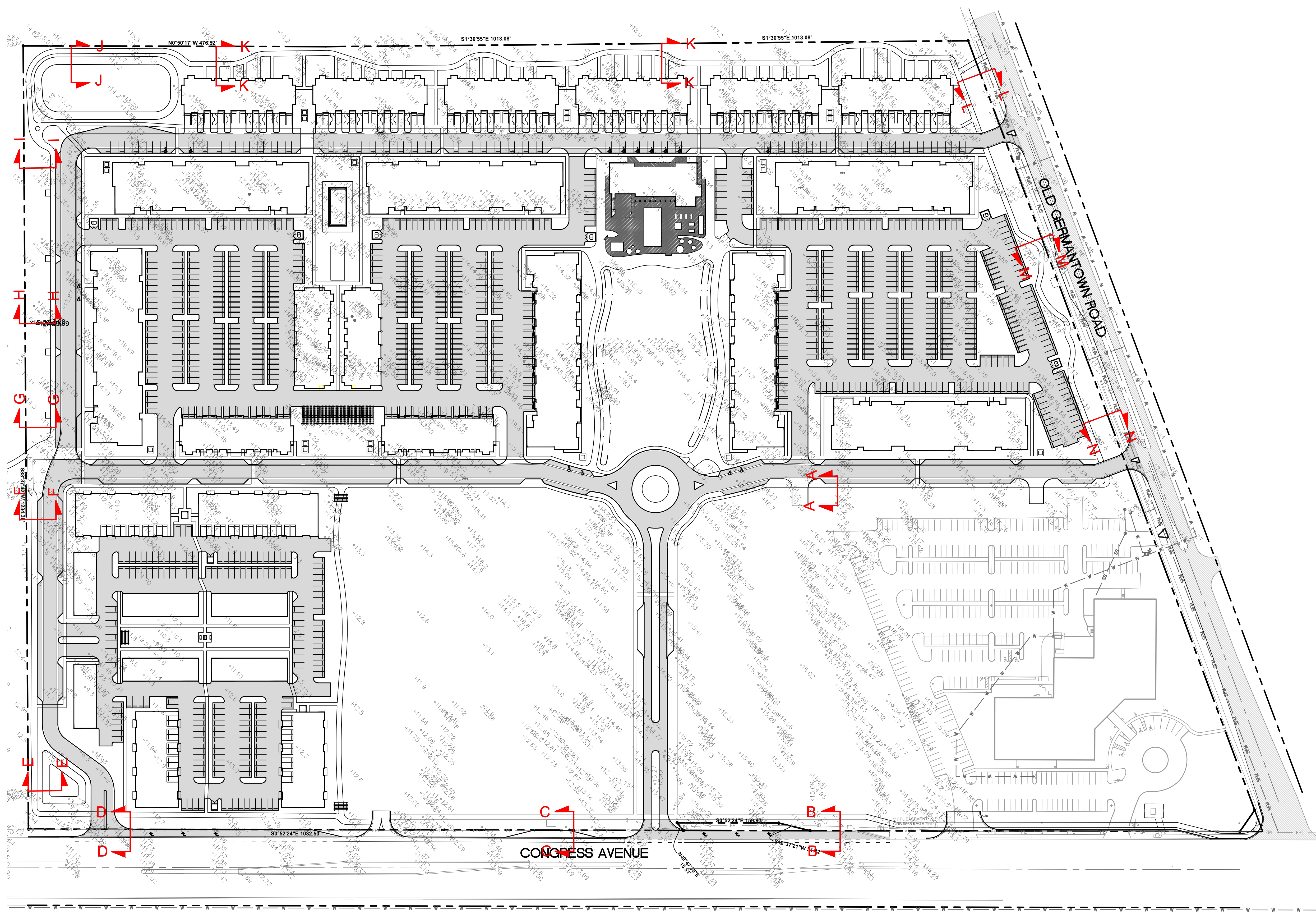
© 2019 KIMLEY-HORN AND ASSOCIATES, INC.
 1615 S CONGRESS AVE, SUITE 201, DELRAY BEACH, FL 33445
 PHONE: 561-330-2345 FAX: 561-863-8175
 WWW.KIMLEY-HORN.COM CA 0000696

LICENSED PROFESSIONAL: MICHAEL D. SPRUCE, P.E.
 DATE: APRIL 2019
 SCALE: AS SHOWN
 DESIGNED BY: JVP
 DRAWN BY: BJC
 CHECKED BY: MDS
 DATE:

COMPOSITE PLAN

**1690 - 2350 S.
 CONGRESS AVENUE**
 PREPARED FOR
13TH FLOOR INVESTMENTS
 DELRAY BEACH, FLORIDA

SHEET NUMBER
C3.06



1690 - 2350 S.
CONGRESS AVENUE
 PREPARED FOR
13TH FLOOR INVESTMENTS
 DELRAY BEACH, FLORIDA

PERIMETER SECTIONS

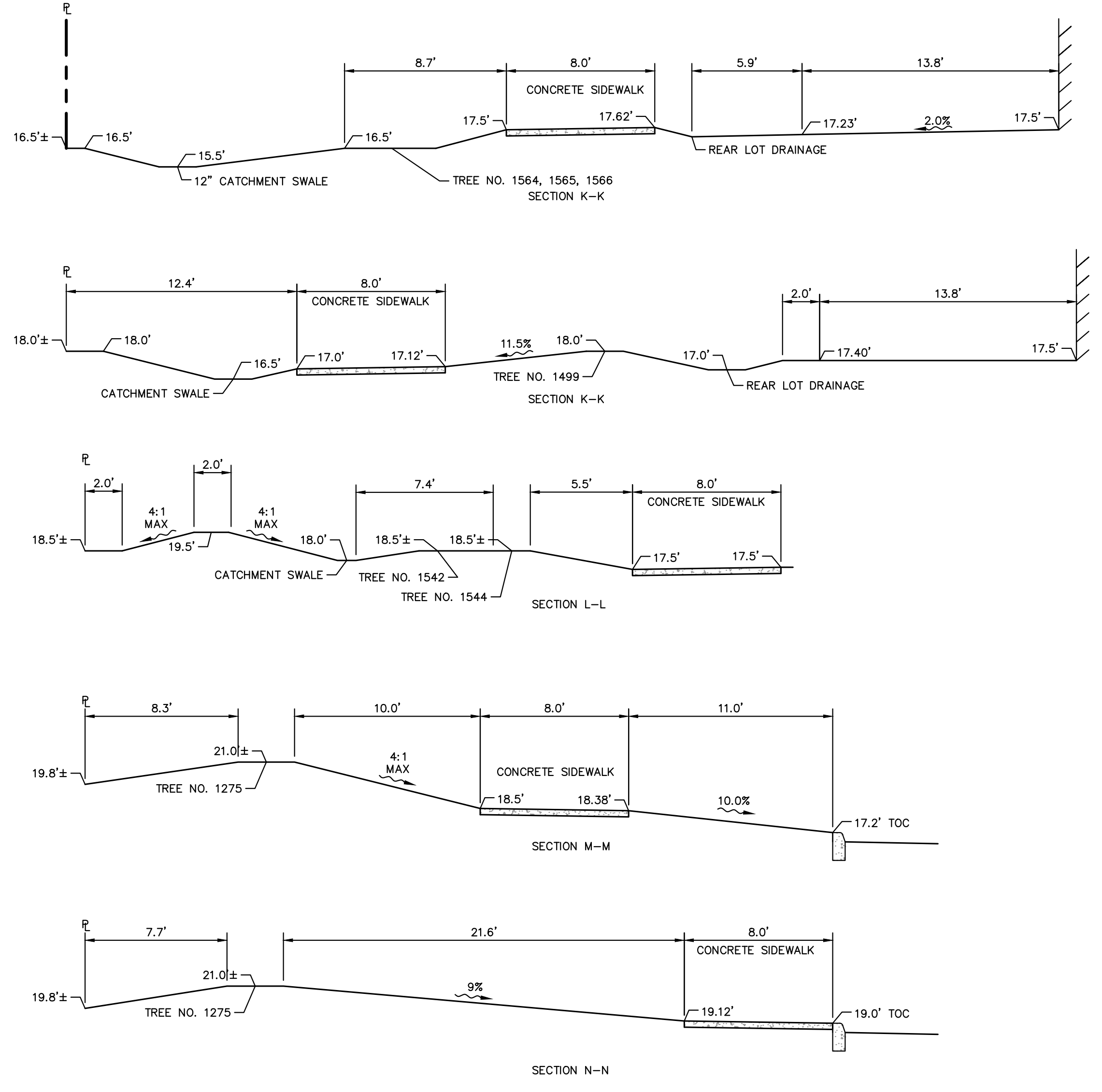
KHA PROJECT
 140248002
 DATE
 MARCH 2019
 SCALE AS SHOWN
 DESIGNED BY JRF
 DRAWN BY JRF
 CHECKED BY MDS
 DATE: _____

LICENSED PROFESSIONAL
 MICHAEL D. SPRUCE, P.E.
 FLORIDA LICENSE NUMBER
 52776

Kimley»Horn
 © 2019 KIMLEY-HORN AND ASSOCIATES, INC.
 1615 S. CONGRESS AVE., SUITE 201,
 DELRAY BEACH, FL 33445
 PHONE: 561-330-2345 · FAX: 561-863-8175
 WWW.KIMLEY-HORN.COM · CA 00000396

NO.	REVISIONS	DATE	BY

Plotted By: Grove, Brian - Sheet Set: 1690 - 2350 S. Congress Avenue - Layout: C8.03 PERIMETER SECTIONS - April 11, 2019 - 09:50:52am - K:_dcd-chil\140248002 - centrepointr\CADD\plansheets\C8.03 PERIMETER SECTIONS.dwg
 This document, together with the concepts and designs presented herein, as an instrument of service, is intended only for the specific purpose and client for which it was prepared. Reuse of and improper reliance on this document without written authorization and adaptation by Kimley-Horn and Associates, Inc. shall be without liability to Kimley-Horn and Associates, Inc.



1690 - 2350 S.
CONGRESS AVENUE
 PREPARED FOR
13TH FLOOR INVESTMENTS
 DELRAY BEACH FLORIDA

**PERIMETER
 SECTIONS**

KHA PROJECT
 140248002
 DATE
 MARCH 2019
 SCALE AS SHOWN
 DESIGNED BY JRF
 DRAWN BY JRF
 CHECKED BY MDS

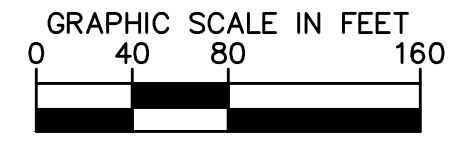
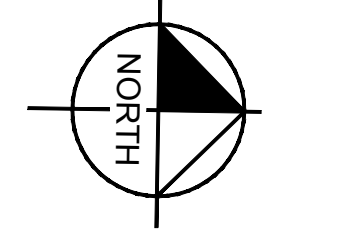
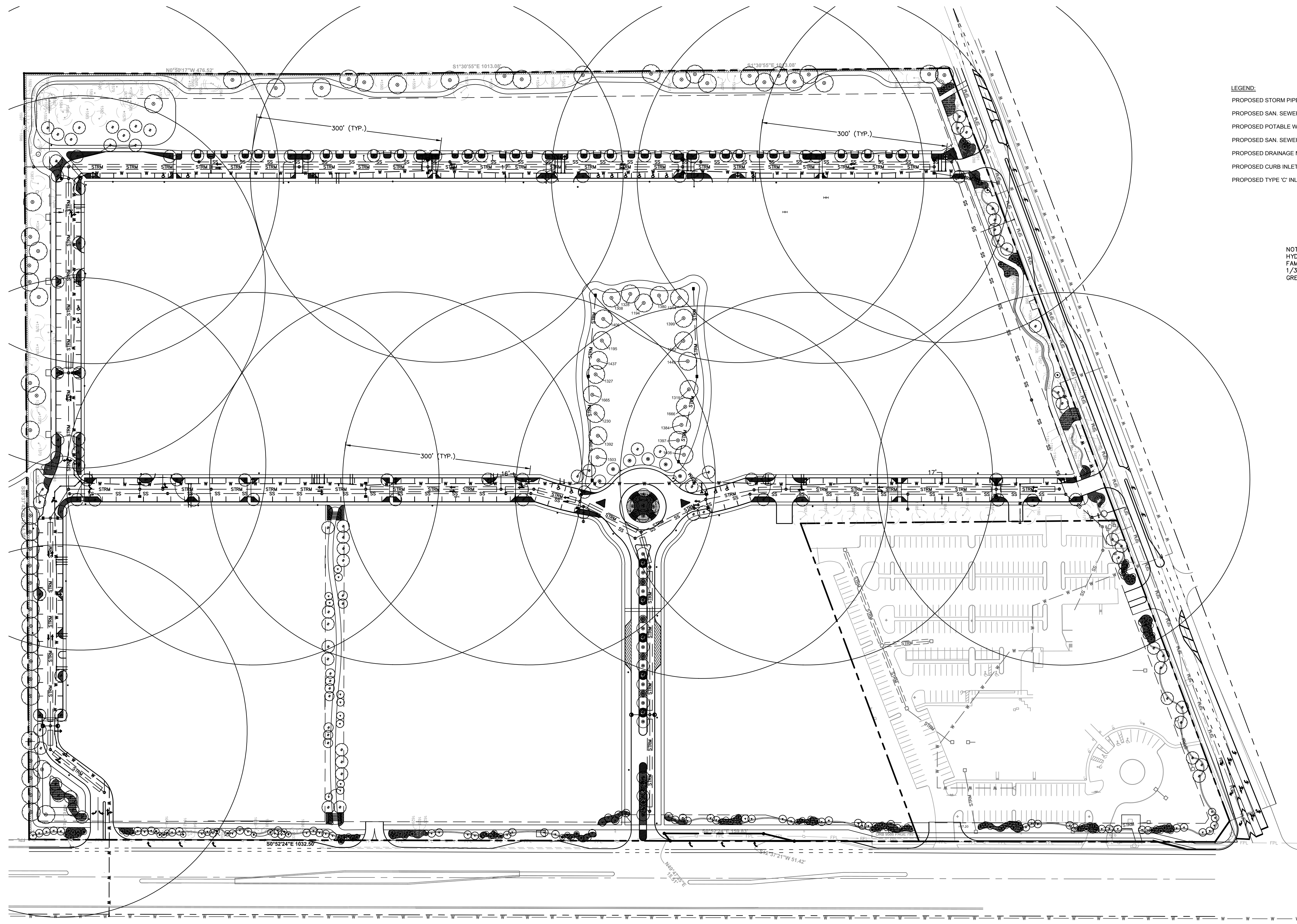
LICENSED PROFESSIONAL
 MICHAEL D. SPRUCE, P.E.
 FLORIDA LICENSE NUMBER
 52776
 DATE: _____

No.	REVISIONS	DATE	BY

Kimley»Horn
 © 2019 KIMLEY-HORN AND ASSOCIATES, INC.
 1615 S. CONGRESS AVE., SUITE 201,
 DELRAY BEACH, FL 33445
 PHONE: 561-330-2345 FAX: 561-863-8175
 WWW.KIMLEY-HORN.COM CA 00000396

SHEET NUMBER
C4.02

Plotted By: Grove, Brian - Sheet Set: 1690 - 2350 S. Congress Avenue - Layout: C3.00 MASTER COMPOSITE PLAN - July 31, 2019 - 08:00:28am - K:\BCD_Civil\140248002 - CentrePointe\CADD\PlanSheets - Covell Master\11.00 FH PLAN.dwg
 This document, together with the concepts and designs presented herein, is intended only for the specific purpose and client for which it was prepared. Reuse of and/or reliance on this document without written authorization and adaptation by Kimley-Horn and Associates, Inc. shall be without liability to Kimley-Horn and Associates, Inc.



- LEGEND:**
- PROPOSED STORM PIPE ——— STRM ——— STRM ———
 - PROPOSED SAN. SEWER MAIN ——— SS ——— SS ———
 - PROPOSED POTABLE WATERMAIN ——— W ——— W ———
 - PROPOSED SAN. SEWER MANHOLE ○
 - PROPOSED DRAINAGE MANHOLE ⊙
 - PROPOSED CURB INLET □
 - PROPOSED TYPE 'C' INLET ■

NOTE:
 HYDRANTS SPACED @ 1/400 LF FOR MULTI FAMILY RESIDENTIAL LESS THAN 2 STORIES OR 1/300 LF FOR MULTI FAMILY RESIDENTIAL GREATER THAN 2 STORIES/COMMERCIAL

1690 - 2350 S. CONGRESS AVENUE PREPARED FOR 13TH FLOOR INVESTMENTS DELRAY BEACH, FLORIDA	MASTER HYDRANT SPACING PLAN	KHA PROJECT 140248002 DATE APRIL 2019 SCALE AS SHOWN DESIGNED BY JVP DRAWN BY BJB CHECKED BY MDS	LICENSED PROFESSIONAL MICHAEL D. SPRUCE, P.E. FLORIDA LICENSE NUMBER 52776 DATE:
SHEET NUMBER C5.00			© 2019 KIMLEY-HORN AND ASSOCIATES, INC. 1615 S CONGRESS AVE., SUITE 201, DELRAY BEACH, FL 33445 PHONE: 561-330-2345 FAX: 561-863-8175 WWW.KIMLEY-HORN.COM CA 00000696
		REVISIONS No. _____ BY _____ DATE _____	